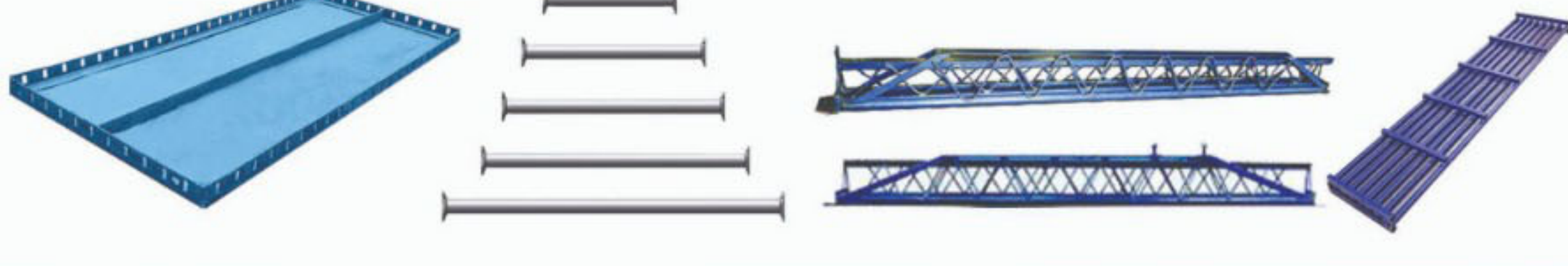




**BUBNA ENTERPRISES**



One Of the  
**REPUTED**  
COMPANY



## SCAFFOLDING SYSTEM

### ADJUSTABLE STEEL PROPS

Steel tubes are used for inner and outer of Props. Adjustable vs safe axial load given below for standard type Props.  
Outer : 60.30 mm O.D. Inner : 48.30 mm O. D .



Prop	Height M		Safe Axial Load Kg.	
	Closed	Extended	Closed	Extended
P1	1.10	1.75	3500	3000
P2	1.50	2.75	3200	2300
P3	2.00	3.25	3000	2200
P4	2.00	3.75	2900	2000
P5	3.00	4.65	2300	1150
P-Junior	2.00	3.10	1500	1000

Note : Props must be braced in both directions by tubes and Double Couplers at approximately 250 mm above Prop Nut when extended beyond 3.75 M. Props with top U Plate and also for Racking supports to walform work available.

### ADJUSTABLE COLUMN CLAMPS

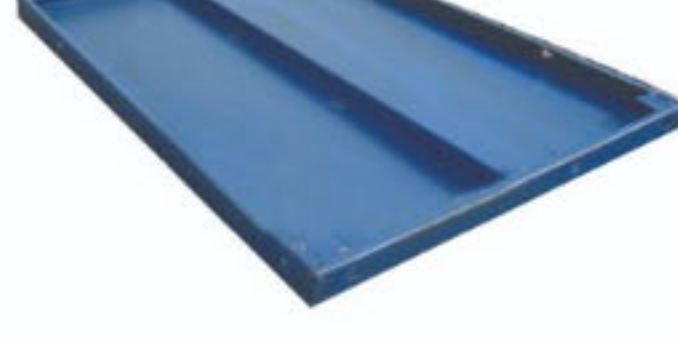


Adjustable column clamps are manufactured in three sizes to accommodate column sizes from 250 mm to 1370 mm and are ideally suited for use with either timber or steel forms, each is supplied complete with four arms with wedge and chain fitting.

Size No.	Column size		Length of arm (mm)	Width of arm (mm)
	Min. (mm)	Max. (mm)		
1	200	700	1015	65
2	250	1075	1390	65
3	500	1370	1655	65

### SHUTTERING PLATES

Floor Forms or Slab Shuttering are manufactured from 14 Gauge M.S. Sheets with pressed flanges and stiffeners with proper slots at the edges. Odd dimensions are filled up with the adjuster floor forms / slabs form. Normal sizes are 600 mm width and in lengths of 900 mm (for 400 mm slab thickness) and 1150 mm (for 300 mm slab thickness). Adjusters are normally 400 and 250 mm wide in the lengths of 900 mm and 1150 mm.



### LIGHT WEIGHT TELESCOPIC SPANS



	Column size		Length of arm (mm)	Width of arm (mm)
	Min.	Max.		
ESO + ESI	175 cm	270 cm		
SO + ESI	240 cm	345 cm		
SO + SI	245 cm	412 cm		
SO + LI	305 cm	475 cm		
LO + SI	315 cm	485 cm		
LO + LI	315 cm	550 cm		

### LOADING TABLE

Slab thickness	Total Load including 180 kg / sq.m. for shuttering & Live load	Permissible Clear spans for centre line Spacing			
		600 mm	800 mm	900 mm	1150 mm
125 mm	480	5330	4650	4340	3760
150 mm	540	5000	4350	4090	3560
200 mm	660	4520	3950	3680	3200
250 mm	780	4140	3650	3380	2840
300 mm	900	3730	3400	3150	2400



## SCAFFOLDING SYSTEM

All scaffold fitting confirm to IS : 2750 : 1968. Steel Scaffold tubes are 40 mm N.B. Mild Steel continuous weld supplied in random length of 4 to 7 M or required cut lengths.



Adjustable Stirrup head gives adjustment between 300 mm to 225 mm



Expanding joint Pin for connecting two tubes end to end



Putlog coupler for two horizontal tubes at right angle.



Double Coupler for right angle joint  
Size : 40 x 40 mm 40 x 50 mm



Swivel Coupler for any angle joint  
Size : 40 x 40 mm 40 x 50 mm



Fixed base plate for 40 mm tube and spigot

### CUPLOCK SCAFFOLDING



Height	Weight
2000 mm	1220 mm
1500 mm	1220 mm
1000 mm	1220 mm

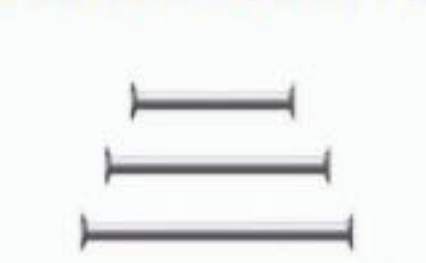
Each unit Scaffolding consists of 2 verticals and 1 horizontal cross bar both of 48.3 mm O.D. tube. Lugs welded at 500 mm c/c on the verticals in perfect position, This holding the has a 3-way clamp at both ends to fix a ledger tube.

### U- FRAME / H-FRAME SCAFFOLDING

1. These frames are made of 40 mm NB vertical and horizontal tube and 50 mm NB socket and spigot. Adjustment rows of such frames are connected by scissors type of cross bracing or by 40 mm NB plain ledgers and double / swivel couplers. This system, due to its welded construction provides excellent rigidity.

2. These are extremely useful as access scaffolding of the high rise building and support staging for heavy structures, bridge girders / deck slabs, etc. Suitable cross braces are available for matching the various spacing of the frames. Usual sizes are 3 M, 2.5M, 1.5 M and 1 M.

### LEDGER SCAFFOLDING SYSTEM



The Wedge Lock Scaffolding system consists of tubular verticals with wedge housing welded to them at 500 / 1000 mm centres in four direction at right angles. Ledger, Transom and Diagonals Locked Firmly to the verticals.

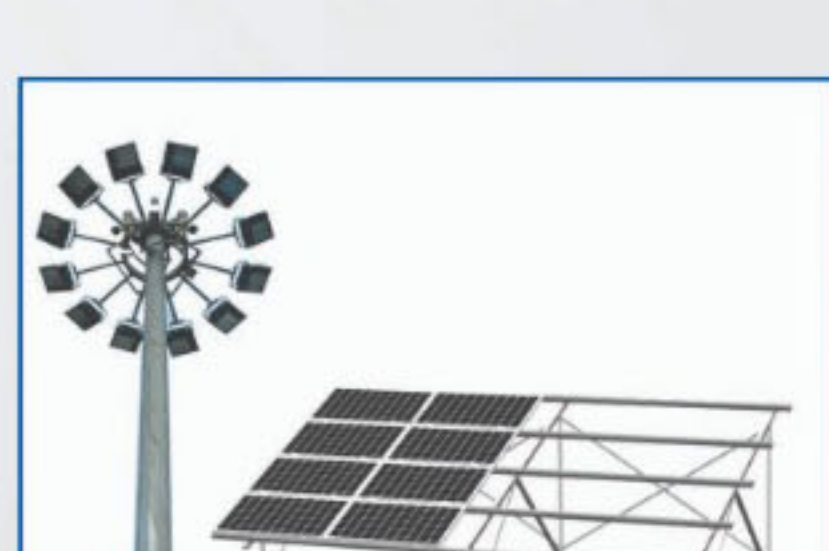


Height	Width
2000 mm	1250 mm
1500 mm	1250 mm
1000 mm	1250 mm



High-mast lighting installations are often located where today's most busy expressways merge or intersect. Valmont Structures offers tapered steel high-mast poles for transportation applications and also for other large-area lighting applications, such as those found at car parks, railways, airports, shipping terminal facilities and large heavy-industry zones.

In all these applications, safety is paramount and technical design expertise is essential.



BUBNA ENTERPRISES designs and manufactures a wide range of octagonal poles, for primary use as street lighting poles. Products are fabricated using premium quality raw material and are customized to client's specification. BUBNA ENTERPRISES can supply masts with conventional raising or lowering head frame systems, by external ladder or even internal access.



Steel Tubular Poles from BUBNA ENTERPRISES are manufactured to specifications that not only illuminate the journey, but pave the way for a brighter future. We have adequate infrastructure to roll out high quality poles in any quantity. Backed by in-house testing facilities, We manufacture Steel Tubular Poles conforming to IS specifications and other equivalent specifications. Swaged Tubular Poles are manufactured using high grade raw material like MS steel & sheets. Since this pole is swaged and not merely joined, it boasts of greater strength and stability. The versatility of steel allows architects, engineers and design professionals to use these poles for a wide range of commercial, residential and municipal applications.



## BUBNA ENTERPRISES

127, Netaji Subhas Road, 1st Floor, Kolkata 700 001

Benaras Road, Belgharia, Howrah

+91 98301 35679, 82403 56413, 89611 56625

2271 1904, 2218 8978, 4603 9322

bubna\_enterprises@yahoo.com